

HIGH SPEED HDMI™ CABLE WITH ETHERNET,8K SUPPORT

NOTE:

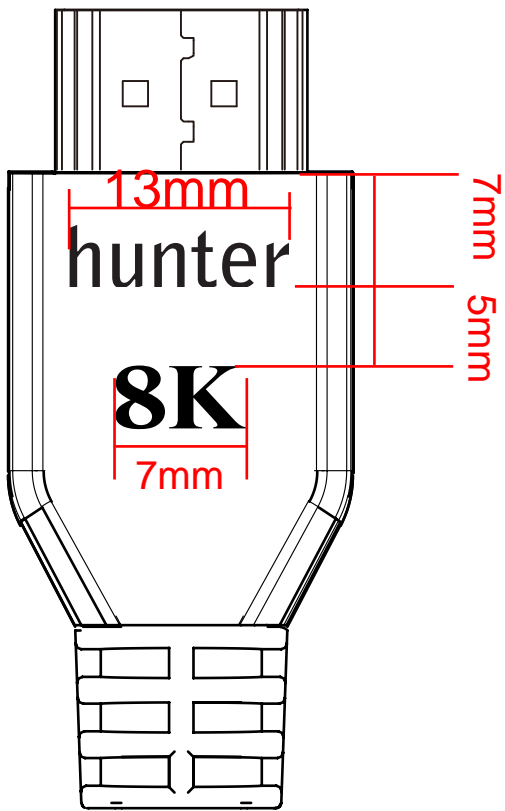
- Electrical properties:
 - Tested by TOATLPHASE Advanced Cable Tester 2 for HDMI2.1 48G
Support 7680*4320 30Hz 4:4:4
Support 7680*4320 60Hz DSC
 - Tested by Nivida GTX3080 ,TV 4096*2160 120HZ
4:4:4 or RGB 4:4:4 12bit pass
- ROHS 2.0 and REACH
- California Proposition 65 compliant

MODEL LIST

Model	Length	DSP
8K HDMI2.1 cable 5M	5000mm	4K*2K 120HZ 4:4:4 12bit

MATERIAL LIST

⑤	DUST COVER	PE, COLOR: TRANSPARENT	2	Hunter AV Technologies					
④	CABLE	(1/0.32B*1P+D+AL+HM)*5C+1/0.32B*4C+ADB16/10/0.12AL+AM+PVC OD:7.0±0.1MM COLOR:BLACK	L	DRAW No.	NAME	HDMI2.1 CABLE			
③	OUTER MOLD	BLACK PVC	2	9278	MAPE	TOLERANCE			
②	SHELL	ABS+METALLIZED,COLOR:SILVERY	2	MODEL No.	8K HDMI2.1 cable 5M		X. ±1.00 X.X ±0.50		
①	CONNECTOR	HDMI2.1MALE ,RUBBER CORE:RED,GOLD PLATED PIN,GOLD PLATED SHELL	2	APPROVE BY	CHECK BY	DRAW BY	SCALE	MM	
No.	PART NAME	DESCRIPTION	QTY	CSSO	S. Daniel		PAGE	1/1	



hunter

8K